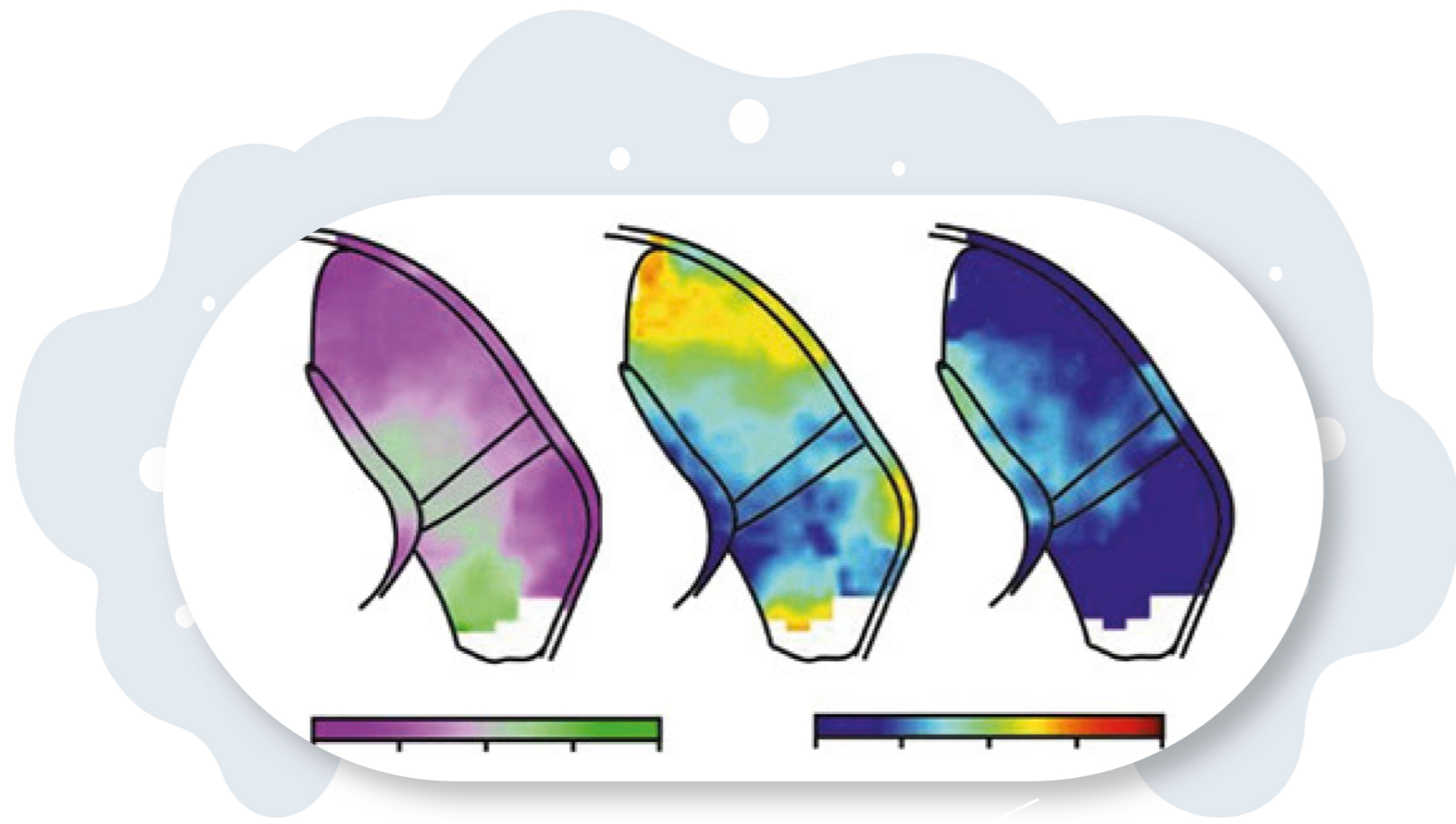


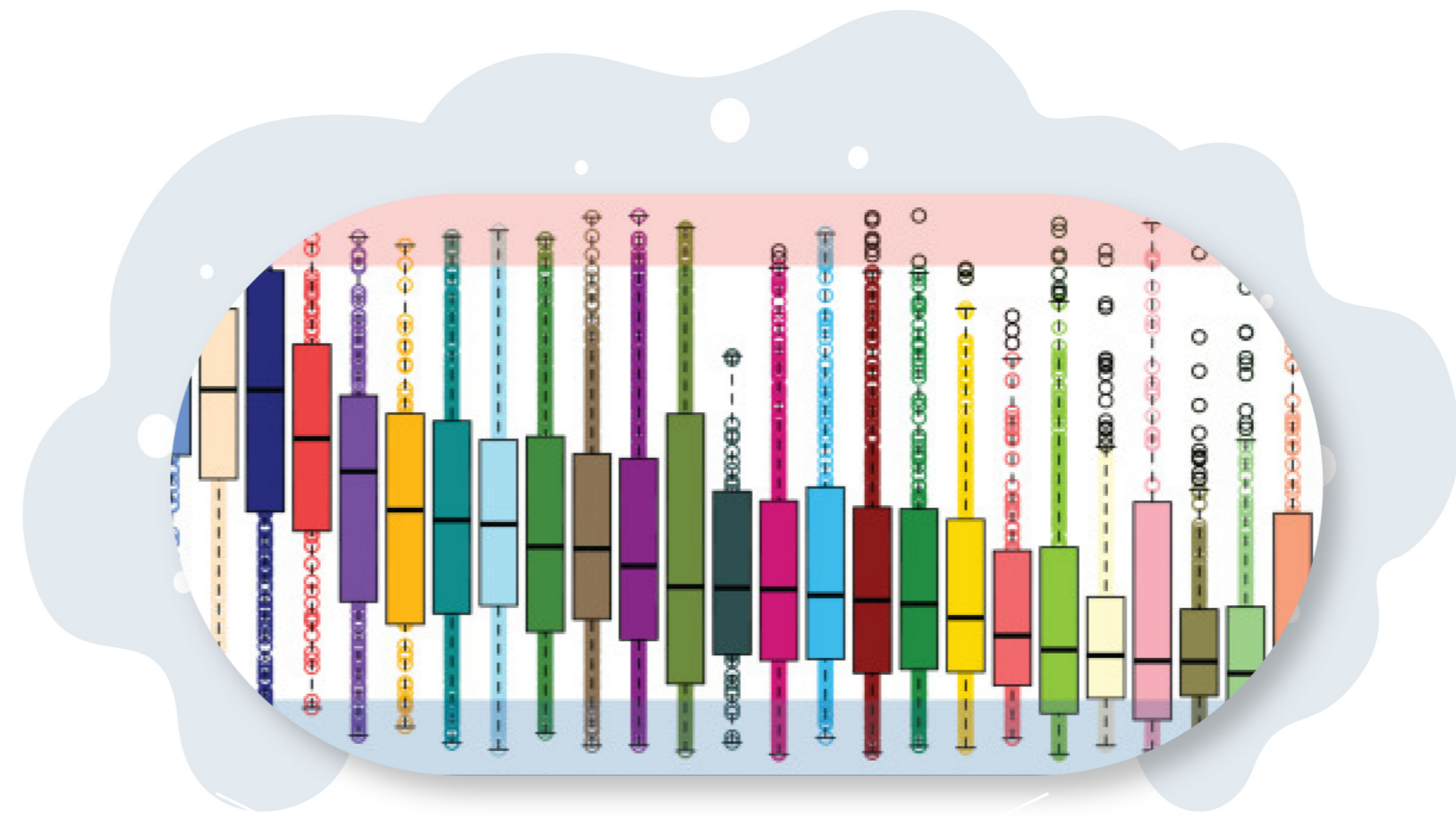


LATEST UPDATES



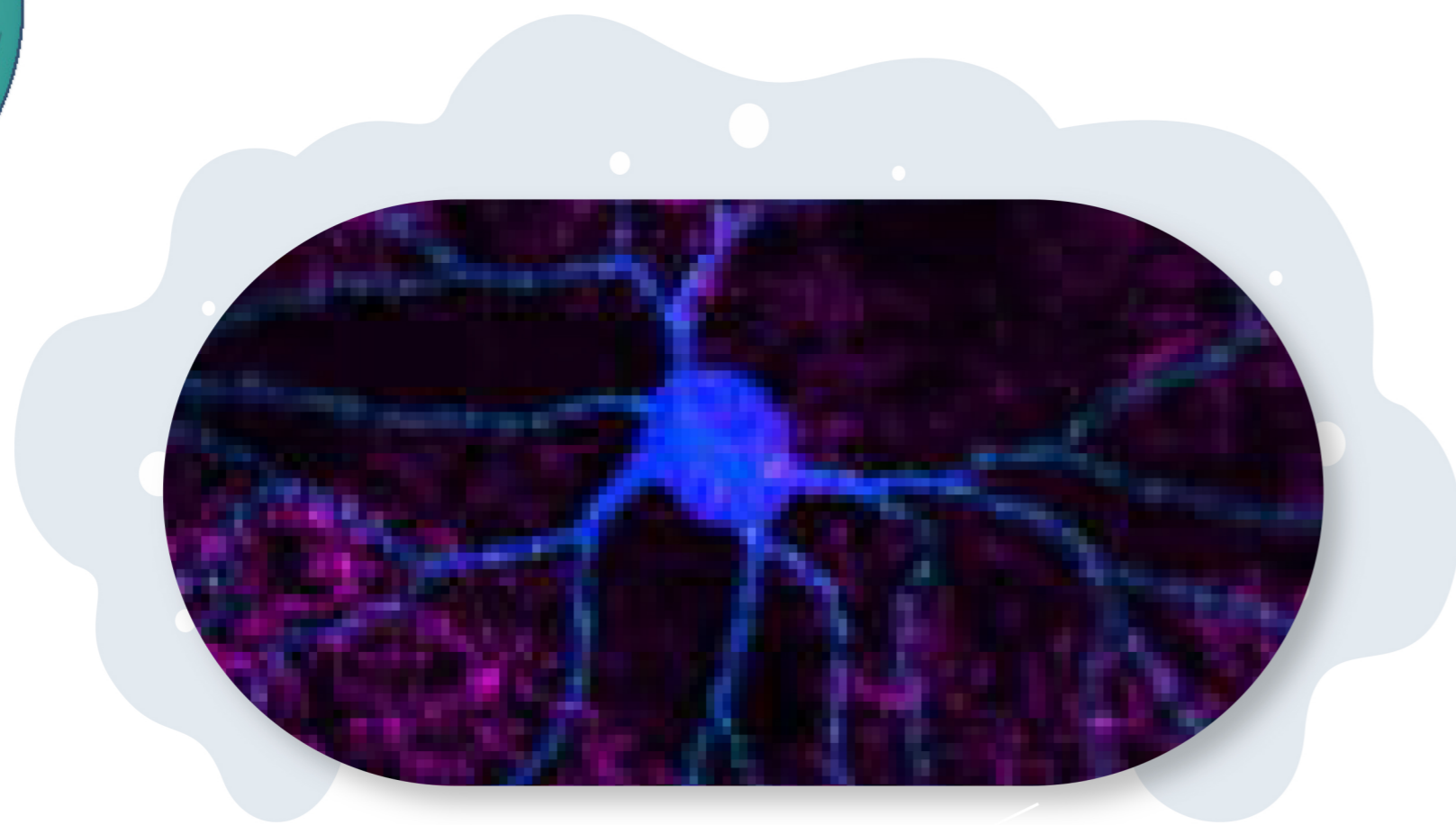
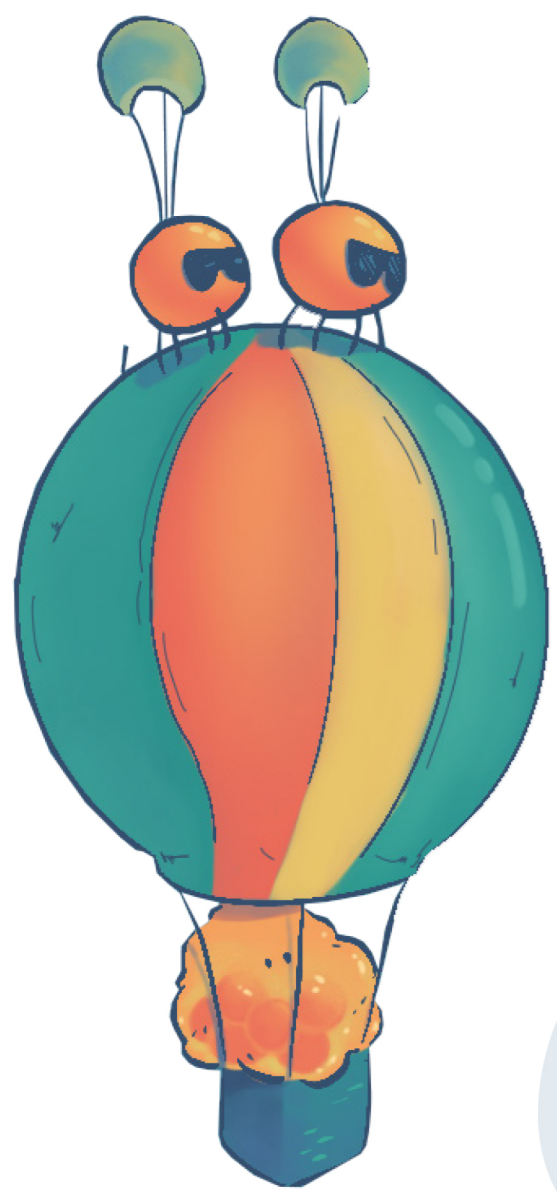
Color vision: More than meets the eye.

Curr Biol. 2021
Schwartz GW.



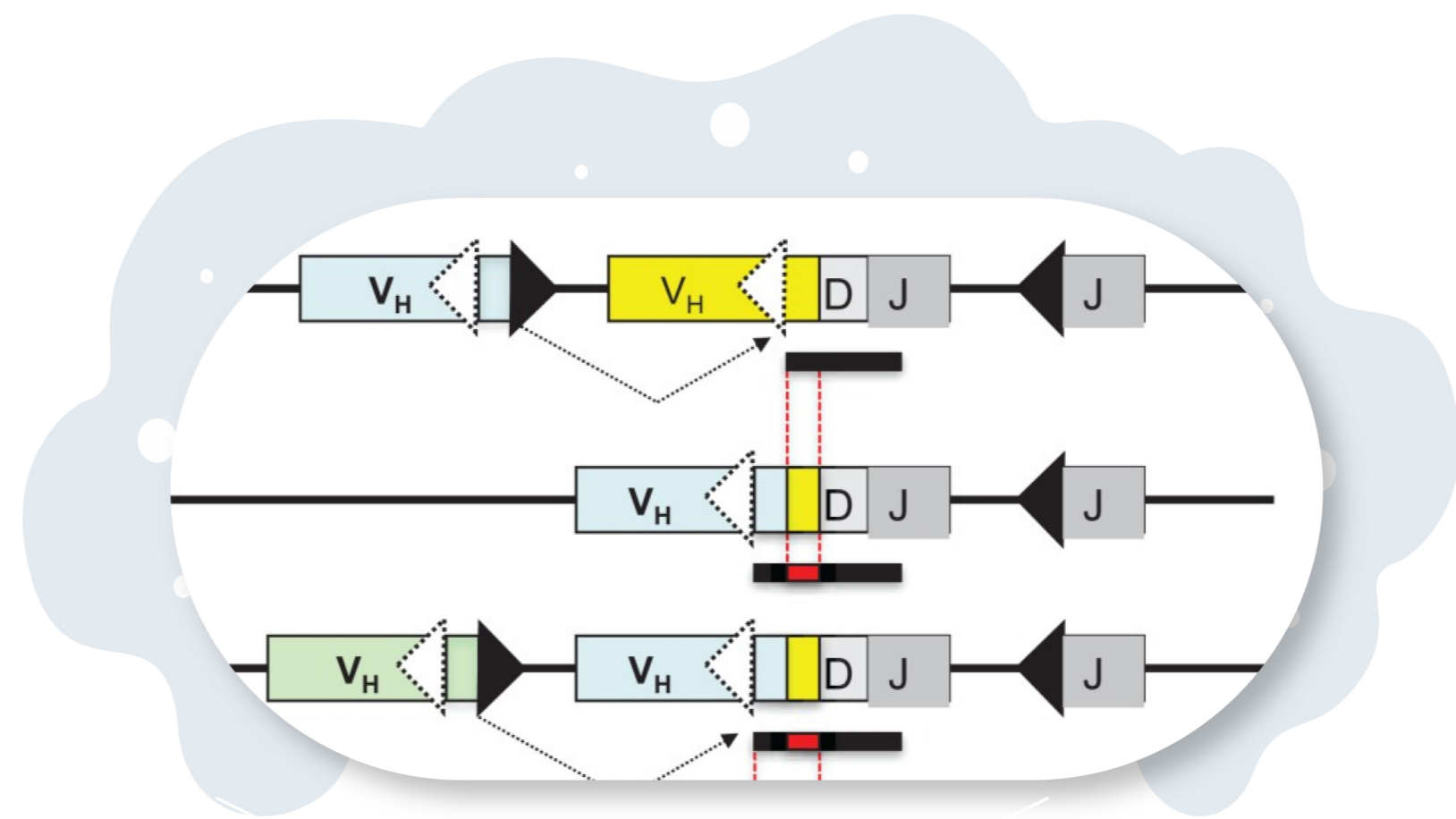
The vascular landscape of human cancer.

J Clin Invest. 2021
Kahn BM, Lucas A, Alur RG, Wengyn MD, Schwartz GW, Li J, Sun K, Maurer HC, Olive KP, Faryabi RB, Stanger BZ.



The dynamic receptive fields of retinal ganglion cells.

Prog Retin Eye Res. 2018
Wienbar S, Schwartz GW.



Trials and Tribulations with V_H Replacement.

Front Immunol. 2014
Meng W, Jayaraman S, Zhang B, Schwartz GW, Daber RD, Hershberg U, Garfall AL, Carlson CS, Luning Prak ET.

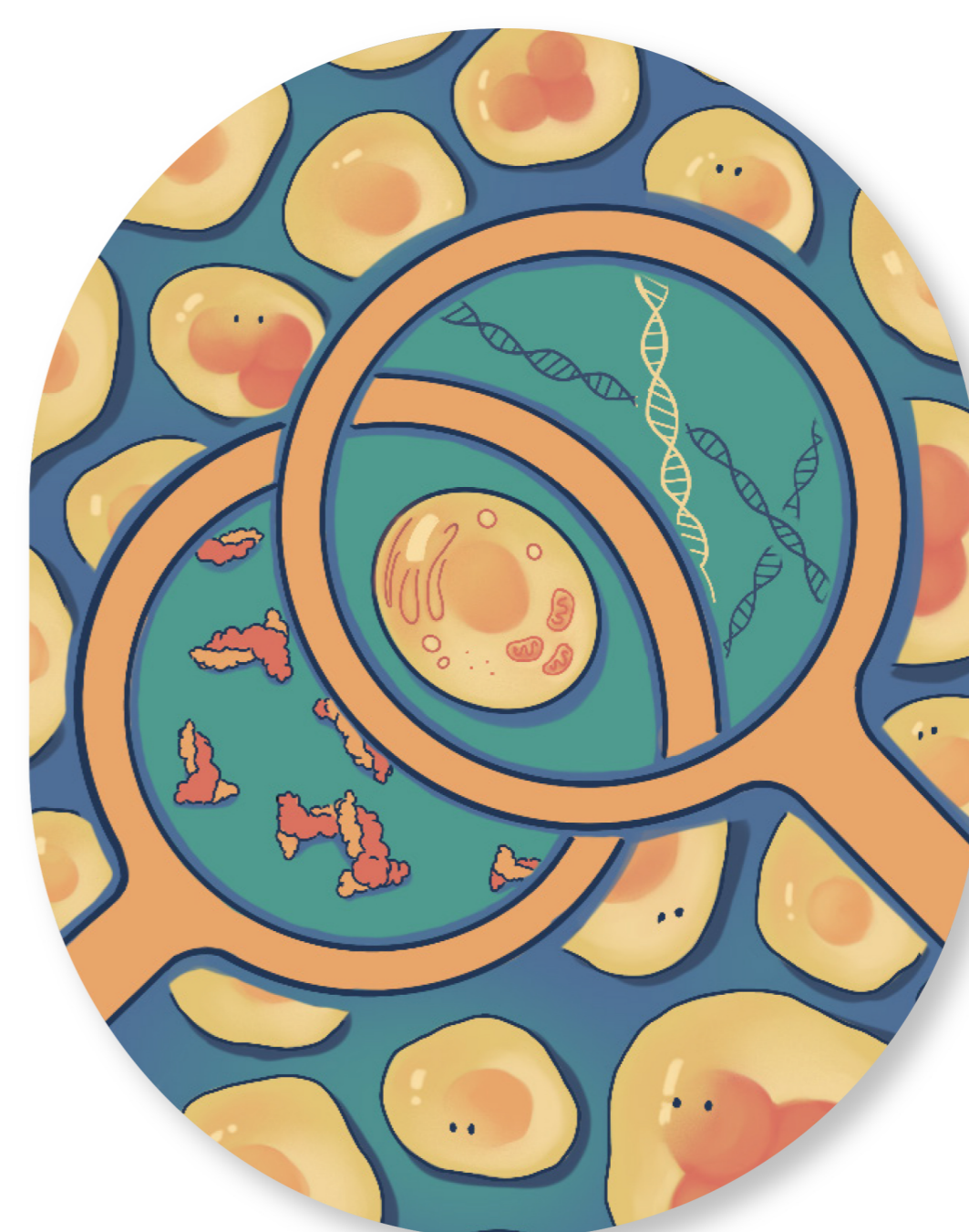
RESEARCH



Cellular organization and communication



Cancer cell evolution



A multi-omic portrait

